



Introducing the new generation of heat control

Standard Gas Distributor

The advantages of this 3 way damper are:

- 1 Progressive temperature built-up in the WHRU.
- 2 Simple cycle operation.
- 3 Heat flow fine tuning.
- 4 Adaptable to all reciprocating motors and gas turbines up to 20MW.

STEJASA Standard Gas Distributor minimizes engineering cost by offering high performance equipment capable of being shipped worldwide in astonishing short delivery time.



Applications

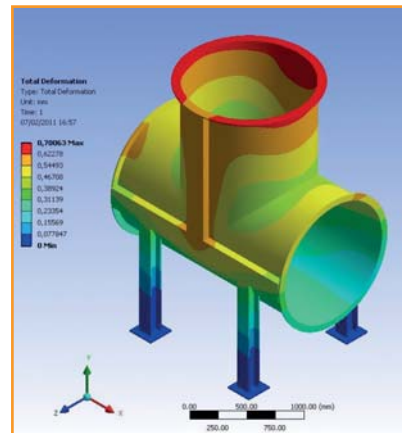
- Power Generation
- Cogeneration (CHP)
- Steam or hot water generation
- Thermal oil and steam generation
- Chilled water generation
- Powder drying
- Paper mill
- Tissue drying
- Biomass drying
- Combined cycle
- Peaking power
- Etc...



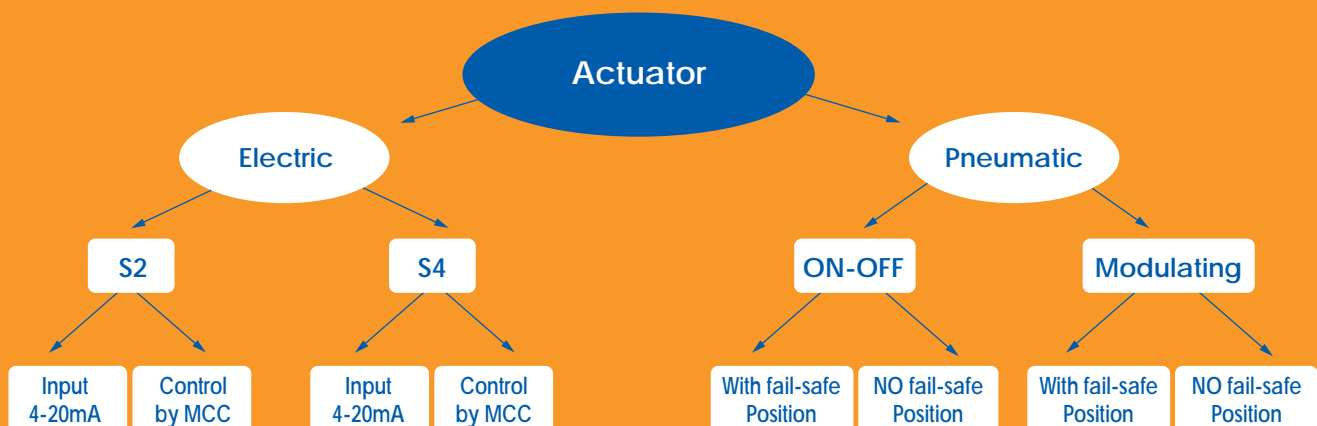
The excellence of standardization

Our standard gas distributor includes:

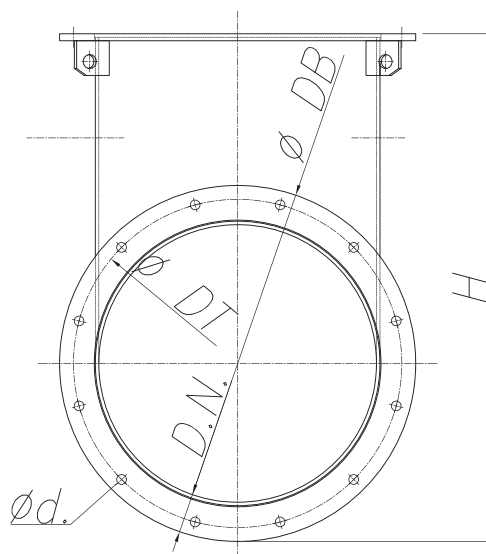
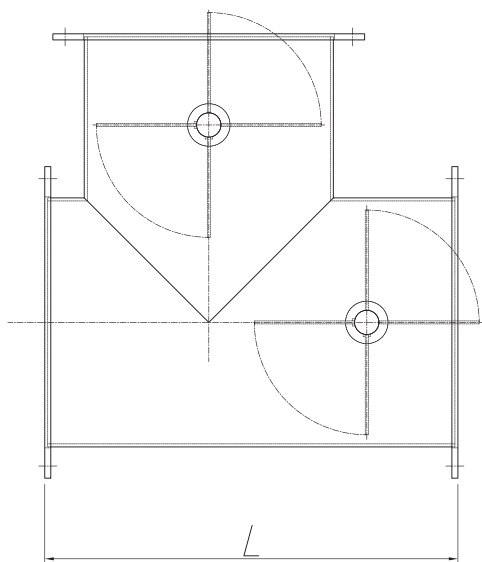
- Sizes range from Ø400 - 2200mm (see tables for further information).
- Maximum pressure drop @WHRU side: < 10mmWG (equivalent to $\pm 32\text{m/s}$).
- Tightness on area > 99.5% thanks to maintenance free metal to metal seal.
- Materials available:
 - Carbon steel (Up to 400°C).
 - 13CrMo44 (Up to 550°C).
 - AISI 321 (Up to 650°C).
- Electric or pneumatic drive.
- Maintenance free bearings.
- External insulation thickness up to 200 mm (insulation not included).
- STEJASA's standard flanges.
- With supporting feet from sizes Ø700 to Ø2200mm.
- Primer coating for transport preservation (N/A to SS).
- Fits inside a container for shipping.



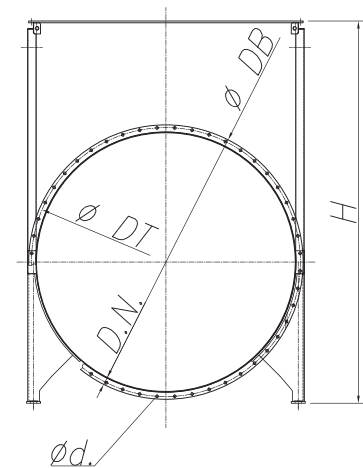
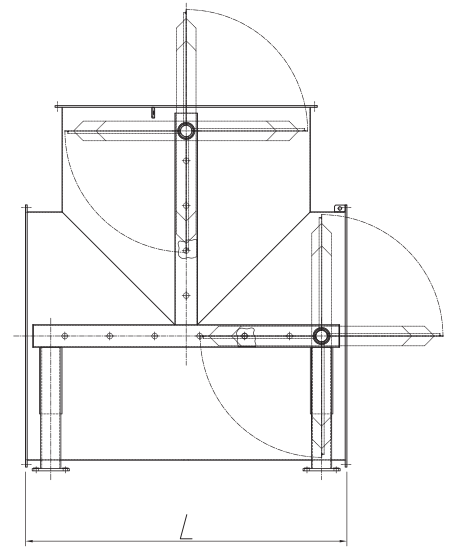
A world of dampers



Dimensions (mm)						
DN.	Face to face GT-Boiler (L)	Total Height (H)	Flange as per Stejasa standard			
			Ø, Ext (ØDB)	Ø to holes (ØDT)	N. Holes.	Ø, holes. (d)
400	680	731,5	513	473	12	14
450	730	831,5	563	523	12	14
500	780	906,5	613	573	12	14
550	830	981,5	663	623	12	14
600	880	1056,5	713	673	16	14
650	930	1131,5	763	723	16	14

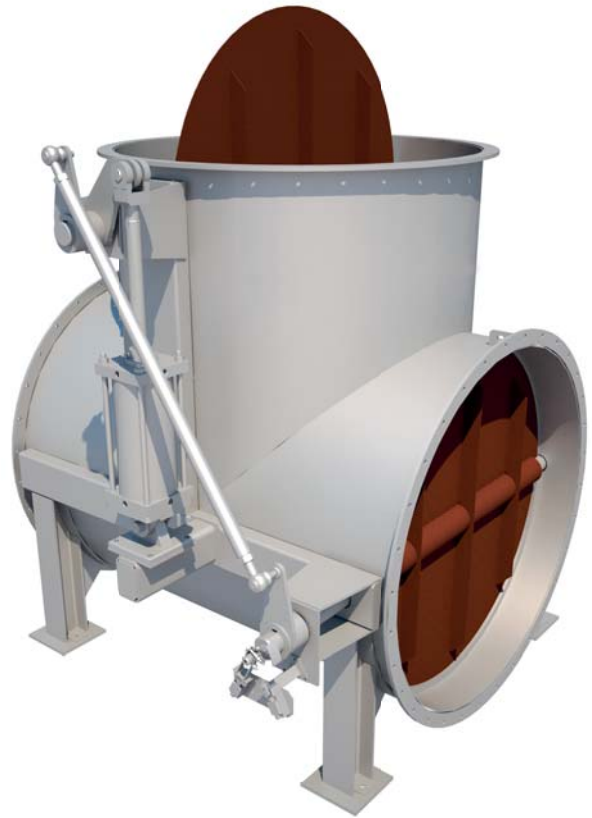


Dimensions (mm)						
DN.	Face to face GT-Boiler (L)	Total Height (H)	Flange as per Stejasa standard			
			Ø, Ext (ØDB)	Ø to holes (ØDT)	N. holes. (N)	Ø holes. (d)
700	980	1245	813	773	16	14
750	1030	1320	863	823	20	18
800	1080	1395	913	873	20	18
850	1340	1400	963	923	20	18
900	1390	1450	1013	973	20	18
950	1440	1525	1063	1023	20	18
1000	1490	1590	1113	1073	24	18
1100	1590	1725	1233	1187	24	18
1200	1720	1860	1333	1287	28	18
1300	1820	1995	1433	1387	28	18
1400	1920	2130	1533	1487	32	18
1500	2090	2290	1633	1587	32	18
1600	2190	2425	1733	1687	36	18
1700	2290	2560	1833	1787	36	18
1800	2390	2695	1933	1887	40	18
1900	2490	2825	2033	1987	44	18
2000	2660	2985	2133	2087	44	23
2100	2760	3115	2233	2187	44	23
2200	2860	3250	2333	2287	48	23



Options

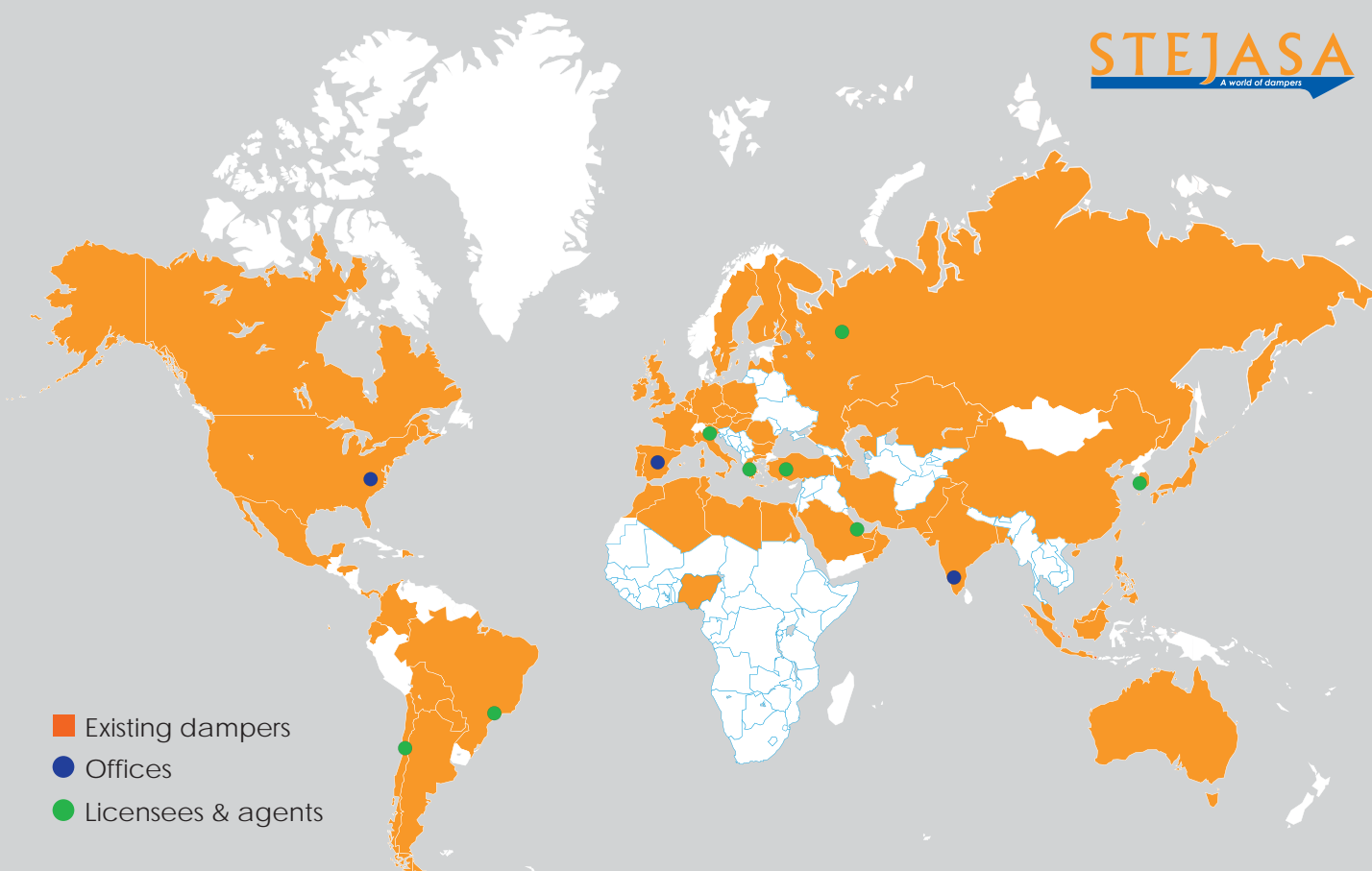
- Safety guards.
- Manufacturing in other materials such as AISI 304, CORTEN, AISI 316, etc.
- External limit switches on shaft: SIL2, SPDT, Inductive type, etc.
- Classified area instrumentation: ATEX, Ex, etc.
- Protocol: HART, MODBUS, PROFIBUS etc.
- Local control panel for electric drive.
- For pneumatic drive, de-clutchable gearbox with hand-wheel for manual operation (as standard for electric drive).
- Motorized guillotine for process maintenance with GT/motor in operation.
- Integrated expansion joints.
- Packing and transport worldwide.



Customized equipments



- Flexible seals for improved sealing efficiency from 99.5% to 99.9%.
- 100% tight system: with sealing air system.
- Square / rectangular cross-section
- Complete bypass system including:
 - Gas distributor: standard or customized.
 - Diffuser.
 - Inlet and outlet expansion joints.
 - Silencer.
 - Stack.
 - Platforms and ladders.
- Special coating if required.



www.stejasa.com

STEJASA

A world of dampers

MAIN OFFICE:

Albasanz 34
28037 Madrid
SPAIN
Tel: +34 91 327 00 13
general@stejasa.es

STEJASA USA:

3441 Parkwood Road S.E.
Bessemer, AL 35022
USA
Tel +1 (205) 428-5660
jnorwood@stejasausa.com